



## Description

PAKKENS TI Series Temperature Gauges are designed according to the EN 13190 standard and are mainly used in the process industry for the temperature measurement of process fluids that do not have an abrasive effect on copper alloys.

The working principle of these thermometers is the expansion or contraction of the trapped fluid inside the capillary tube according to the temperature changes in the process. Thanks to the capillary tube, the temperature indicator can be mounted in a different place from the heat source.

Moreover, the modular design of the temperature gauge makes it enable to have different combinations of nominal sizes, capillary lengths, and scale ranges.

## Industrial Applications

Heating - Air Conditioning Industry, Refrigeration Systems, Food - Beverage Industry, Machine Building and Process Industry

## General Specifications

**Confirmity:**

EN13190

**Measurement Principle:**

Expansion

**Sizes (mm):**

Ø50, Ø60

**Bulb Diameter (mm):**

Ø6

**Unit:**

°C

**Measurement Ranges:**

Ø50 : 0°C...120°C

Ø60 : -40°C...350°C

**Accuracy Class:**

CL 2.0

**Ingress Protection Rate:**

IP41

**Capillary Tube Length (m):**

Ø50: 1...3

Ø60: 1...10

**Malzemeler:**

**Bulb:**

Copper

**Capillary Tube:**

Ø50: Copper - PVC Covered

Ø60: Copper - PVC Covered T<200°C

Ø60: Copper - Stainless Steel Braided T>200°C

**Case:**

Ø50: ABS

Ø60: AISI304

**Cover:**

Ø50: ABS

Ø60: AISI304

**Window:**

Ø50:PMMA

Ø60:Glass

**Dial:**

Ø50:ABS

Ø60:Aluminium

**Pointer:**

ABS

**Options:**

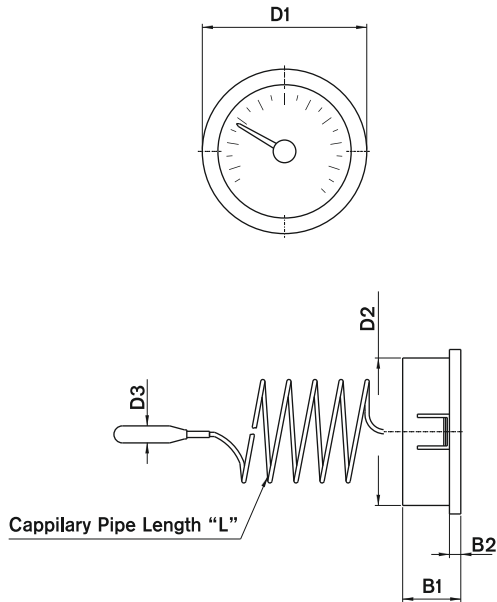
Brass thermowell connection (G3/8")

Other temperature units

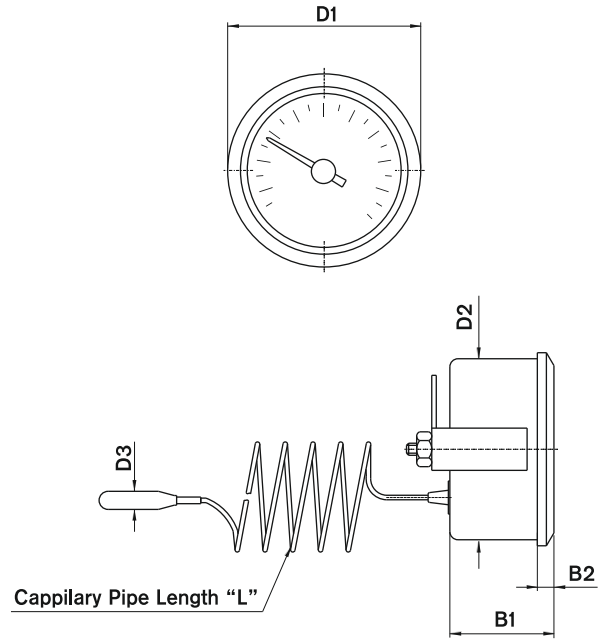
Special dial design

**Dimensions(mm)**

01- Ø50



02- Ø60



Ø	D1	D2	D3	B1	B2	L (m)
50	57,5	52	6	22,3	3,3	1-3
60	64	60	6	34,5	5,6	1-10

## Approvals:

---



Turkish Standards Institution



ISO 9001 Quality Management System



TURKAK Calibration Laboratory Accreditation Certificate



2014/68/EU Pressure Equipment Directive - Certificate of Conformity



211/65/EU Restriction of Hazardous Substances Directive - Declaration of Conformity



Gost Certificate

*System and quality certifications of PAKKENS Inc.  
Product and product group certifications may vary*